



Characteristics



- Energy saving heat pump air curtains: Up to 70% reduction in costs and CO₂ emissions (heating mode).
- Specially designed to be installed in all type of revolving doors. Two possible layouts, tailored dimensions: standard (on top mounting) or inverted (false ceiling mounting).
- Self-supporting casing construction made of galvanized steel plate, finished in structural epoxy-polyester painting white colour RAL9016 as standard. Other colours or stainless steel are available on request.
- Large perforated inlet grille avoiding intensive maintenance.
- Circular anodized aluminium outlet vanes, airfoil shaped.
- EC Double-inlet centrifugal fans driven by an external rotor motor and low noise level, with very low consumption efficient fans.
- Includes direct expansion coil with sensors. Optional condensate water pump.
- CS-5DX-NE Plug&Play control with 5 speeds and telephone cable 7m included.
- Requires MITSUBISHI ELECTRIC DX Interface KIT adapted for air curtain and programmable control, please consult.
- Ready to connect to MITSUBISHI ELECTRIC Standard and Power Inverter outdoor heat pump unit (R410A) with expansion valve, not included, the customer should purchase it.

Specifications

| Model | Airflow m ³ /h | Outdoor Unit (*) 230Vx1 | Outdoor Unit (*) 400Vx3 | Power Fans 230V-50Hz kW | Current Fans 230V-50Hz A | Noise Level (5 m) dB(A) | Weight kg |
|-----------------------|------------------------------|----------------------------|----------------------------|----------------------------------|-----------------------------------|----------------------------------|--------------|
| ROTO ECG 1000 DX10-ME | 2190 | PUHZ-ZRP100VKA | PUHZ-ZRP100YKA | 0,213 | 1,86 | 61 | - |
| ROTO ECG 1500 DX14-ME | 2920 | PUHZ-ZRP125VKA | PUHZ-ZRP125YKA | 0,284 | 2,48 | 62 | - |
| ROTO ECG 2000 DX22-ME | 4380 | - | PUHZ-ZRP200YKA | 0,426 | 3,72 | 63 | - |
| ROTO ECG 2000 DX24-ME | 4380 | - | PUHZ-ZRP250YKA | 0,426 | 3,72 | 63 | - |
| ROTO ECG 2500 DX27-ME | 5110 | - | PUHZ-ZRP250YKA | 0,497 | 4,34 | 64 | - |

(*) Includes direct expansion valve.

| MITSUBISHI Power Inverter (*) Outdoor Units | Heating Capacity | Heating Power | SCOP or COP | Cooling Capacity | Cooling Power | SEER or EER | Power Supply | Pipes Gas Liquid | Pipes Minimum Length | Pipes Maximum Length | Pipes Maximum Height |
|---|---------------------|------------------|----------------|---------------------|------------------|----------------|-----------------|---------------------|----------------------------|----------------------------|----------------------------|
| | kW | kW | | kW | kW | | | inch | m | m | m |
| PUHZ-ZRP100VKA | 11,2 | 2,06 | 4,20 | 10,0 | 2,63 | 5,60 | 230Vx1 | 5/8 3/8 | - | 75 | 30 |
| PUHZ-ZRP100YKA | 11,2 | 2,06 | 4,20 | 10,0 | 2,63 | 5,50 | 400Vx3 | 5/8 3/8 | - | 75 | 30 |
| PUHZ-ZRP125VKA | 14,0 | 3,63 | 3,86 | 12,5 | 4,05 | 3,09 | 230Vx1 | 5/8 3/8 | - | 75 | 30 |
| PUHZ-ZRP125YKA | 14,0 | 3,63 | 3,86 | 12,5 | 4,05 | 3,09 | 400Vx3 | 5/8 3/8 | - | 75 | 30 |
| PUHZ-ZRP200YKA | 22,4 | 6,94 | 3,23 | 19,0 | 6,46 | 2,94 | 400Vx3 | 1 3/8 | - | 100 | 30 |
| PUHZ-ZRP250YKA | 27,0 | 8,94 | 3,75 | 22,0 | 8,31 | 2,65 | 400Vx3 | 1 1/2 | - | 100 | 30 |

(*) Also compatible with Standard Inverter outdoor units.

Energy efficiency: SCOP/SEER seasonal ≤12kW, COP/EER >12kW.

Outdoor unit capacities depending on standard conditions: heating 20°CDB indoor / 7°CDB and 6°CWB outdoor, cooling 27°CDB and 19°CWB indoor / 35°CDB outdoor.

When adverse weather conditions, the outdoor unit capacity can decrease. It is recommendable to oversize the units.



Characteristics



- Energy saving heat pump air curtains: Up to 70% reduction in costs and CO₂ emissions (heating mode).
- Specially designed to be installed in all type of revolving doors. Two possible layouts, tailored dimensions: standard (on top mounting) or inverted (false ceiling mounting).
- Self-supporting casing construction made of galvanized steel plate, finished in structural epoxy-polyester painting white colour RAL9016 as standard. Other colours or stainless steel are available on request.
- Large perforated inlet grille avoiding intensive maintenance.
- Circular anodized aluminium outlet vanes, airfoil shaped.
- EC Double-inlet centrifugal fans driven by an external rotor motor and low noise level, with very low consumption efficient fans.
- Includes direct expansion coil with sensors. Optional condensate water pump.
- CS-5DX-NE Plug&Play control with 5 speeds and telephone cable 7m included.
- Requires MITSUBISHI ELECTRIC VRF Interface KIT adapted for air curtain with expansion valve and programmable control, please consult.
- Ready to connect to MITSUBISHI ELECTRIC VRF outdoor heat pump unit (R410A), not included, the customer should purchase it.

Specifications

| Model | Airflow m ³ /h | Power Fans 230V-50Hz kW | Current Fans 230V-50Hz A | Noise Level (5 m) dB(A) | Weight kg | Mitsubishi Electric Kit Interface VRF (*) |
|------------------------|------------------------------|-------------------------------|--------------------------------|-------------------------------|--------------|---|
| ROTO ECG 1000 VRF10-ME | 2190 | 0,213 | 1,86 | 61 | - | PAC-AH125M-J |
| ROTO ECG 1500 VRF13-ME | 2920 | 0,284 | 2,48 | 62 | - | PAC-AH125M-J |
| ROTO ECG 1500 VRF15-ME | 2920 | 0,284 | 2,48 | 62 | - | PAC-AH125M-J |
| ROTO ECG 2000 VRF20-ME | 4380 | 0,426 | 3,72 | 63 | - | PAC-AH250M-J |
| ROTO ECG 2000 VRF24-ME | 4380 | 0,426 | 3,72 | 63 | - | PAC-AH250M-J |
| ROTO ECG 2500 VRF25-ME | 5110 | 0,497 | 4,34 | 64 | - | PAC-AH250M-J |
| ROTO ECG 2500 VRF29-ME | 5110 | 0,497 | 4,34 | 64 | - | PAC-AH250M-J |

(*) Includes direct expansion valve.

| MITSUBISHI ELECTRIC VRF compatible Outdoor Units | |
|--|--------------------|
| Range | Series |
| City Multi | SY (Heat Pump) |
| City Multi | R2 (Heat Recovery) |
| Mr. Slim | Standard Inverter |
| Mr. Slim | Power Inverter |
| Mr. Slim | Zubadan |
| Industrial | Standard Inverter |
| Industrial | Power Inverter |

When adverse weather conditions, the outdoor unit capacity can decrease. It is recommendable to oversize the units.

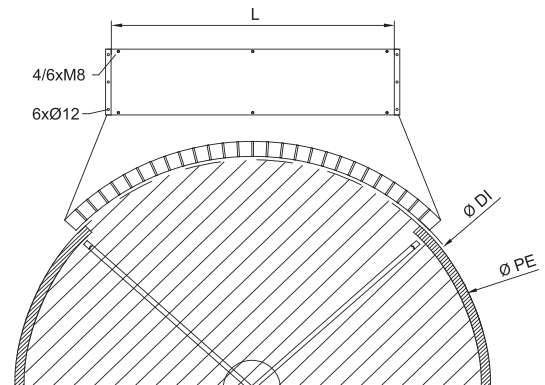
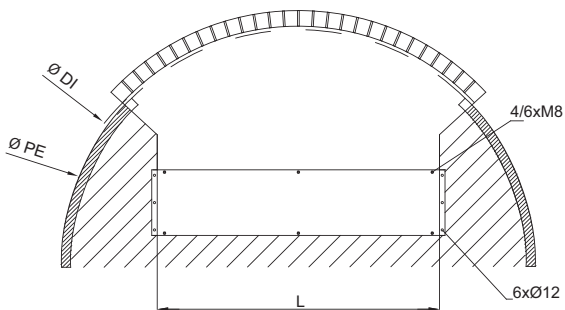
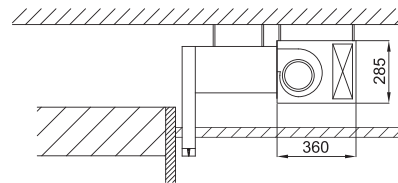
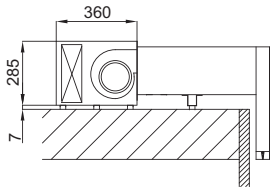
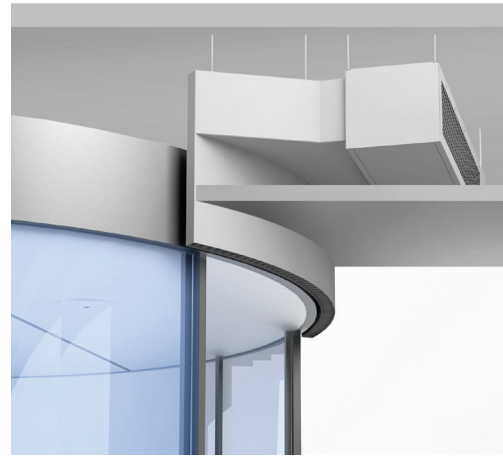


Layouts and dimensions

Rotowind air curtains are tailor-made for any kind of revolving door according to the following layouts:

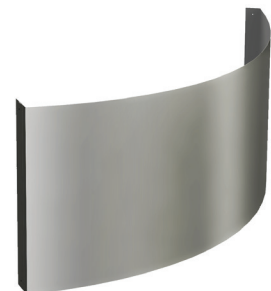
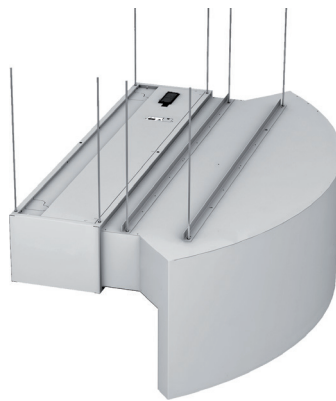
Standard: On top mounting

Inverted: False ceiling mounting



Fixation system

Optional decorative front cover



Fixed onto the door

Hanging from the ceiling

RAL 9016 (standard), optional:

- Colour from RAL palette
- Stainless steel AISI 304