



Characteristics



- Energy saving heat pump air curtains: Up to 70% reduction in costs and CO₂ emissions (heating mode).
- Stylish, discreet and contemporary design adaptive to any interior architecture.
- Smooth front panel can be customized with logotypes, lighting, lettering or safety and informative signals, according to the client requirements.
- Self-supporting steel rounded casing with edgeless plastic side covers, finished in structural epoxy-polyester painting white colour RAL9016 as standard. Other colours are available on request.
- Hidden top air entrance, avoiding the inside view of the unit and the inlet grille.
- Anodized aluminium outlet vanes, airfoil shaped, adjustable from 0 to 15° each side.
- EC Double-inlet centrifugal fans driven by an external rotor motor and low noise level, with very low consumption efficiency fans.
- Includes direct expansion coil with sensors. Optional condensate water pump.
- CS-5DX-NE Plug&Play control with 5 speeds and telephone cable 7m included.
- Requires LG DX Interface KIT adapted for air curtain and programmable control, please consult.
- Ready to connect to LG Inverter outdoor heat pump unit (R410A) with expansion valve, not included, the customer should purchase it.

Specifications

Model	Airflow m ³ /h	Outdoor Unit (*)		Power Fan	Current Fan	Noise Level	Weight kg
		230Vx1	400Vx3	230V-50Hz kW	230V-50Hz A	(5 m) dB(A)	
SMART ECM 1000 DX8-LG	1640	UU30W U44	-	0,142	1,24	54	39
SMART ECM 1500 DX11-LG	2460	UU36W UO2	UU37W UO2	0,213	1,86	55	58
SMART ECM 2000 DX15-LG	3280	UU48W U32	UU49W U32	0,284	2,48	56	73
SMART ECM 2000 DX17-LG	3280	UU60W U32	UU61W U32	0,284	2,48	56	73
SMART ECM 2500 DX22-LG	4100	-	UU70W U34	0,355	3,10	57	79
SMART ECM 3000 DX27-LG	4920	-	UU85W U74	0,426	3,72	58	91
SMART ECG 1000 DX9-LG	2190	UU30W U44	-	0,213	1,86	59	44
SMART ECG 1500 DX15-LG	2920	UU48W U32	UU49W U32	0,284	2,48	60	64
SMART ECG 2000 DX22-LG	4380	-	UU70W U34	0,426	3,72	61	83
SMART ECG 2500 DX22-LG	5110	-	UU70W U34	0,497	4,34	62	87
SMART ECG 2500 DX27-LG	5110	-	UU85W U74	0,497	4,34	62	87
SMART ECG 3000 DX27-LG	5840	-	UU85W U74	0,568	5,96	63	99

(*) Includes direct expansion valve.

LG Inverter Outdoor Units	Heating Capacity kW	Heating Power kW	SCOP or COP	Cooling Capacity kW	Cooling Power kW	SEER or EER	Power Supply	Pipes		Pipes Minimum Length m	Pipes Maximum Length m	Pipes Maximum Height m
								Gas	Liquid			
								inch				
UU30W U44	9,0	2,62	4,00	7,8	2,41	6,10	230Vx1	5/8	3/8	5	50	30
UU36W UO2	11,2	3,19	3,81	10,0	3,12	5,11	230Vx1	5/8	3/8	5	50	30
UU37W UO2	11,2	3,19	3,81	10,0	3,12	5,11	400Vx3	5/8	3/8	5	50	30
UU48W U32	15,4	4,39	3,50	14,0	4,10	3,41	230Vx1	5/8	3/8	5	75	30
UU49W U32	15,4	4,39	3,50	14,0	4,10	3,41	400Vx3	5/8	3/8	5	75	30
UU60W U32	16,8	4,79	3,51	14,8	4,53	3,31	230Vx1	5/8	3/8	5	75	30
UU61W U32	16,8	4,79	3,51	14,8	4,53	3,31	400Vx3	5/8	3/8	5	75	30
UU70W U34	22,4	6,40	3,50	19,0	6,69	2,84	400Vx3	1	3/8	5	75	30
UU85W U74	27,0	8,31	3,25	23,0	8,19	2,81	400Vx3	7/8	1/2	5	75	30

Energy efficiency: SCOP/SEER seasonal ≤12kW, COP/EER >12kW.

Outdoor unit capacities depending on standard conditions: heating 20°CDB indoor / 7°CDB and 6°CWB outdoor, cooling 27°CDB and 19°CWB indoor / 35°CDB outdoor.

When adverse weather conditions, the outdoor unit capacity can decrease. It is recommendable to oversize the units.



Characteristics



- Energy saving heat pump air curtains: Up to 70% reduction in costs and CO₂ emissions (heating mode).
- Stylish, discreet and contemporary design adaptive to any interior architecture.
- Smooth front panel can be customized with logotypes, lighting, lettering or safety and informative signals, according to the client requirements.
- Self-supporting steel rounded casing with edgeless plastic side covers, finished in structural epoxy-polyester painting white colour RAL9016 as standard. Other colours are available on request.
- Hidden top air entrance, avoiding the inside view of the unit and the inlet grille.
- Anodized aluminium outlet vanes, airfoil shaped, adjustable from 0 to 15° each side.
- EC Double-inlet centrifugal fans driven by an external rotor motor and low noise level, with very low consumption efficiency fans.
- Includes direct expansion coil with sensors. Optional condensate water pump.
- CS-5DX-NE Plug&Play control with 5 speeds and telephone cable 7m included.
- Requires LG VRF Interface KIT adapted for air curtain and programmable control, please consult.
- Ready to connect to LG VRF outdoor heat pump unit (R410A) and expansion valve not included, the customer should purchase it.

Specifications

Model	Airflow m ³ /h	LG Direct Expansion Valve	Power Fan 230V-50Hz kW	Current Fan 230V-50Hz A	Noise Level (5 m) dB(A)	Weight kg
SMART ECM 1000 VRF8-LG	1640	PRLK048A0	0,142	1,24	54	39
SMART ECM 1500 VRF13-LG	2460	PRLK048A0	0,213	1,86	55	58
SMART ECM 2000 VRF16-LG	3280	PRLK048A0	0,284	2,48	56	73
SMART ECM 2000 VRF19-LG	3280	PRLK048A0	0,284	2,48	56	73
SMART ECM 2500 VRF21-LG	4100	PRLK048A0	0,355	3,10	57	79
SMART ECM 2500 VRF24-LG	4100	PRLK048A0	0,355	3,10	57	79
SMART ECM 3000 VRF26-LG	4920	PRLK048A0	0,426	3,72	58	91
SMART ECM 3000 VRF30-LG	4920	PRLK048A0	0,426	3,72	58	91
SMART ECG 1000 VRF10-LG	2190	PRLK048A0	0,213	1,86	59	44
SMART ECG 1500 VRF15-LG	2920	PRLK048A0	0,284	2,48	60	64
SMART ECG 2000 VRF24-LG	4380	PRLK048A0	0,426	3,72	61	83
SMART ECG 2500 VRF25-LG	5110	PRLK048A0	0,497	4,34	62	87
SMART ECG 2500 VRF29-LG	5110	PRLK048A0	0,497	4,34	62	87
SMART ECG 3000 VRF29-LG	5840	PRLK048A0	0,568	5,96	63	99
SMART ECG 3000 VRF34-LG	5840	PRLK06A0	0,568	5,96	63	99

LG VRF Outdoor Units (Heat Pump or Heat Recovery depending on Tonnage)

Multi V S



Multi V 5



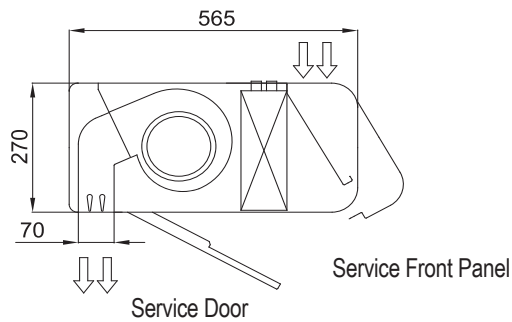
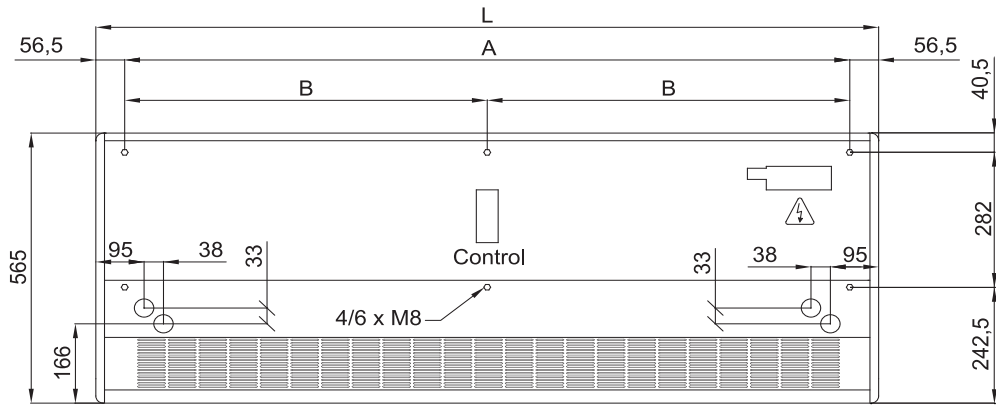
Multi V IV



When adverse weather conditions, the outdoor unit capacity can decrease. It is recommendable to oversize the units.



Dimensions



	L	A	B
SMART 1000	1034	920	-
SMART 1500	1534	1420	710
SMART 2000	2034	1920	960
SMART 2500	2534	2420	1210
SMART 3000	3034	2920	1460

Finishes and Details

