



Characteristics



- Specially designed to be installed in all type of revolving doors. Two possible layouts, tailored dimensions: standard (on top mounting) or inverted (false ceiling mounting).
- Self-supporting casing construction made of galvanized steel plate, finished in structural epoxy-polyester painting white colour RAL9016 as standard. Other colours or stainless steel are available on request.
- Large perforated inlet grille avoiding intensive maintenance.
- Circular anodized aluminium outlet vanes, airfoil shaped.
- Double-inlet centrifugal fans driven by an external rotor motor and low noise level. 5-speed selector. "EC" models with very low consumption efficient fans.
- "P" type with water heated coil. "E" type with electrical shielded elements, three stages with integrated regulation. "A" type without heating, air only. Optional "DX" with direct expansion coil.
- Includes Plug&Play control with 7m RJ45 cable and infrared remote control. Optional: Clever control (programmable, automatic, intelligent, energy saving, Modbus RTU for BMS...).

Specifications

AIR ONLY

Model	Airflow m³/h	Power Fans		Current Fans A	Noise Level (5m) dB(A)	Weight kg
		230V-50Hz kW	230V-50Hz			
ROTO G 1000 A	2400	0,642	2,85	57	-	
ROTO G 1500 A	3200	0,856	3,80	58	-	
ROTO G 2000 A	4800	1,284	5,70	59	-	
ROTO G 2500 A	5600	1,498	6,65	60	-	
ROTO ECG 1000 A	2700	0,213	1,86	61	-	
ROTO ECG 1500 A	3600	0,284	2,48	62	-	
ROTO ECG 2000 A	5400	0,426	3,72	63	-	
ROTO ECG 2500 A	6300	0,497	4,34	64	-	

ELECTRICAL HEATED

Model	Airflow m³/h	Electrical Heating		Power Fans 230V-50Hz kW	Current Fans A	Noise Level (5m) dB(A)	Weight kg
		Capacity 400Vx3-50Hz kW	230V-50Hz				
ROTO G 1000 E	2400	5/10/15	0,642	2,85	57	-	
ROTO G 1500 E	3200	7,5/15/22,5	0,856	3,80	58	-	
ROTO G 2000 E	4800	10/20/30	1,284	5,70	59	-	
ROTO G 2500 E	5600	10/20/30	1,498	6,65	60	-	
ROTO ECG 1000 E	2700	5/10/15	0,213	1,86	61	-	
ROTO ECG 1500 E	3600	7,5/15/22,5	0,284	2,48	62	-	
ROTO ECG 2000 E	5400	10/20/30	0,426	3,72	63	-	
ROTO ECG 2500 E	6300	10/20/30	0,497	4,34	64	-	

WATER HEATED

Model	Airflow m³/h	P86		P64		P54		Power Fans 230V-50Hz kW	Current Fans A	Noise Level (5m) dB(A)	Weight kg
		Heating Capacity 80/60°C kW	Water Drop Pressure 80/60°C Pa	Heating Capacity 60/40°C kW	Water Drop Pressure 60/40°C Pa	Heating Capacity 50/40°C kW	Water Drop Pressure 50/40°C Pa				
ROTO G 1000 P	2250	11,04	1230	10,42	6190	10,56	1790	0,642	2,85	57	-
ROTO G 1500 P	3000	16,02	940	15,47	8020	16,37	5670	0,856	3,80	58	-
ROTO G 2000 P	4500	24,92	2700	22,29	6810	23,15	3030	1,284	5,70	59	-
ROTO G 2500 P	5250	31,16	4930	26,61	5060	28,76	5450	1,498	6,65	60	-
ROTO ECG 1000 P	2550	11,89	1400	11,27	7110	11,50	2090	0,213	1,86	61	-
ROTO ECG 1500 P	3400	17,29	1070	16,77	9240	17,86	6620	0,284	2,48	62	-
ROTO ECG 2000 P	5100	26,86	3080	24,14	7850	25,24	3530	0,426	3,72	63	-
ROTO ECG 2500 P	5950	33,63	5650	28,84	5840	31,38	6360	0,497	4,34	64	-

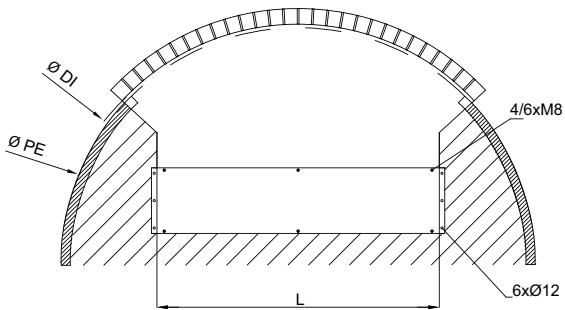
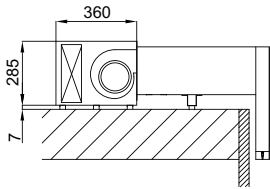
Water heated: connection pipes P86 and P64 are 2x3/4" female (male if lateral pipes), P54 2x1" male. P86 2 rows coil, P64 3 rows coil, P54 4 rows coil.



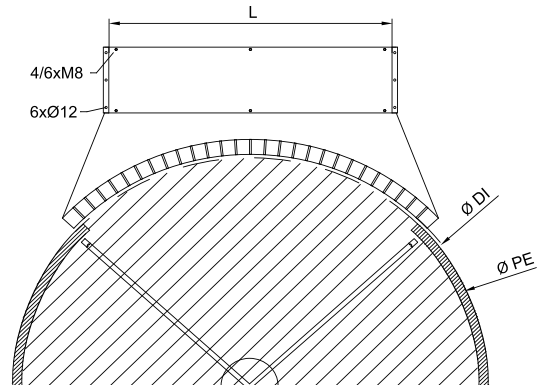
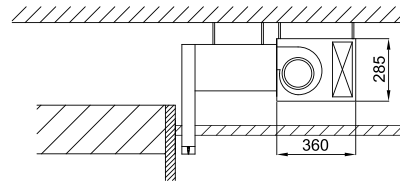
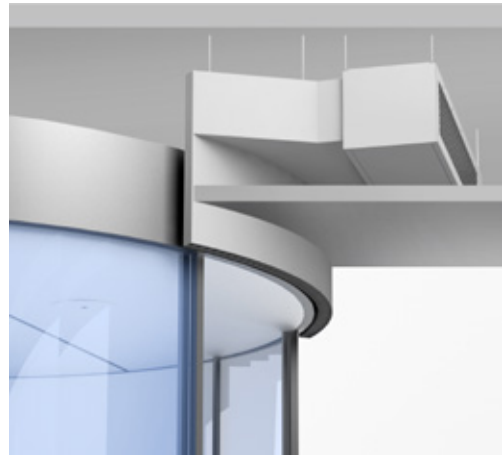
Layouts and dimensions

Rotowind air curtains are tailor-made for any kind of revolving door according to the following layouts:

Standard: On top mounting



Inverted: False ceiling mounting



Fixation system

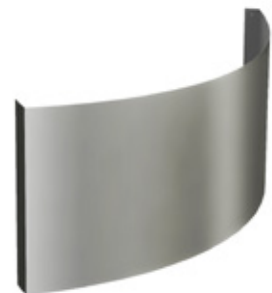


Fixed onto the door



Hanging from the ceiling

Optional decorative front cover



RAL 9016 (standard), optional:

- Colour from RAL palette
- Stainless steel AISI 304