



Characteristics



- Energy saving heat pump air curtains: Up to 70% reduction in costs and CO₂ emissions (heating mode).
- Decorative rounded air curtain for vertical or horizontal installation.
- Faceted self-supporting casing construction made of galvanized plated steel, finished in structural epoxy-polyester painting white RAL9016 or silver grey RAL9006 as standard. Other colours or stainless steel are available on request.
- Large perforated inlet grille avoiding intensive maintenance.
- Anodized aluminium outlet vanes, airfoil shaped, adjustable from 0 to 15° each side.
- EC Double-inlet centrifugal fans driven by an external rotor motor and low noise level, with very low consumption efficiency fans.
- Includes direct expansion coil with sensors. Optional condensate water pump.
- CS-5DX-NE Plug&Play control with 5 speeds and telephone cable 7m included.
- Requires TOSHIBA DX Interface KIT adapted for air curtain and programmable control, please consult.
- Ready to connect to TOSHIBA Inverter outdoor heat pump unit (R410A) with expansion valve, not included, the customer should purchase it.

Specifications

Model	Airflow m ³ /h	Outdoor Unit (*)		Power Fan	Current Fan	Noise Level	Weight
		230Vx1	400Vx3	230V-50Hz kW	230V-50Hz A	(5 m) dB(A)	
RUND ECG 1000 DX10-TO	2190	RAV-SM1104ATP-E	RAV-SP1104AT8-E	0,225	1,95	61	52
RUND ECG 1500 DX13-TO	2920	RAV SM1404ATP-E	RAV SP1404AT8-E	0,300	2,60	62	77
RUND ECG 1500 DX15-TO	2920	RAV-SM1603AT-E	RAV-SP1604AT8-E	0,300	2,60	62	77
RUND ECG 2000 DX22-TO	4380	-	RAV-SM2244AT8-E	0,450	3,90	63	100
RUND ECG 2000 DX24-TO	4380	-	RAV-SM2804AT8-E	0,450	3,90	63	100
RUND ECG 2500 DX22-TO	5110	-	RAV-SM2244AT8-E	0,525	4,55	64	109
RUND ECG 2500 DX27-TO	5110	-	RAV-SM2804AT8-E	0,525	4,55	64	109
RUND ECG 3000 DX27-TO	5840	-	RAV-SM2804AT8-E	0,600	5,20	65	119

(*) Includes direct expansion valve.

TOSHIBA Inverter Outdoor Units	Heating Capacity	Heating Power	SCOP or COP	Cooling Capacity	Cooling Power	SEER or EER	Power Supply	Pipes		Pipes Minimum Length	Pipes Maximum Length	Pipes Maximum Height
	kW	kW		kW	kW			Gas	Liquid	m	m	m
								inch				
RAV-SM1104ATP-E	11,2	2,93	3,54	10,0	3,11	5,58	230Vx1	5/8	3/8	5	50	30
RAV-SP1104AT8-E	11,2	2,42	4,28	10,0	2,37	6,57	400Vx3	5/8	3/8	3	75	30
RAV SM1404ATP-E	14,0	3,80	3,68	12,0	3,74	3,21	230Vx1	5/8	3/8	5	50	30
RAV SP1404AT8-E	14,0	3,42	4,09	12,5	3,46	3,61	400Vx3	5/8	3/8	3	75	30
RAV-SM1603AT-E	16,0	4,43	3,61	14,0	4,49	3,12	230Vx1	5/8	3/8	5	50	30
RAV-SP1604AT8-E	16,0	4,30	3,72	14,0	4,49	3,12	400Vx3	5/8	3/8	3	75	30
RAV-SM2244AT8-E	22,4	6,49	3,45	20,0	7,20	2,78	400Vx3	1"1/8	1/2"	7,5	70	30
RAV-SM2804AT8-E	27,0	8,15	3,31	23,0	8,75	2,63	400Vx3	1"1/8	1/2"	7,5	70	30

Energy efficiency: SCOP/SEER seasonal ≤12kW, COP/EER >12kW.

Outdoor unit capacities depending on standard conditions: heating 20°CDB indoor / 7°CDB and 6°CWB outdoor, cooling 27°CDB and 19°CWB indoor / 35°CDB outdoor.

When adverse weather conditions, the outdoor unit capacity can decrease. It is recommendable to oversize the units.



Characteristics



- Energy saving heat pump air curtains: Up to 70% reduction in costs and CO₂ emissions (heating mode).
- Decorative rounded air curtain for vertical or horizontal installation.
- Faceted self-supporting casing construction made of galvanized plated steel, finished in structural epoxy-polyester painting white RAL9016 or silver grey RAL9006 as standard. Other colours or stainless steel are available on request.
- Large perforated inlet grille avoiding intensive maintenance.
- Anodized aluminium outlet vanes, airfoil shaped, adjustable from 0 to 15° each side.
- EC Double-inlet centrifugal fans driven by an external rotor motor and low noise level, with very low consumption efficiency fans.
- Includes direct expansion coil with sensors. Optional condensate water pump.
- CS-5DX-NE Plug&Play control with 5 speeds and telephone cable 7m included.
- Requires TOSHIBA VRF Interface KIT adapted for air curtain, programmable control and expansion valve, please consult.
- Ready to connect to TOSHIBA VRF outdoor heat pump unit (R410A), not included, the customer should purchase it.

Specifications

Model	Airflow m ³ /h	Toshiba Direct Expansion Valve	Power Fan 230V-50Hz kW	Current Fan 230V-50Hz A	Noise Level (5 m) dB(A)	Weight kg
RUND ECG 1000 VRF10-TO	2190	MMDXV140	0,225	1,95	61	52
RUND ECG 1500 VRF13-TO	2920	MMDXV140	0,300	2,60	62	77
RUND ECG 1500 VRF15-TO	2920	MMDXV140	0,300	2,60	62	77
RUND ECG 2000 VRF20-TO	4380	MMDXV280	0,450	3,90	63	100
RUND ECG 2000 VRF24-TO	4380	MMDXV280	0,450	3,90	63	100
RUND ECG 2500 VRF25-TO	5110	MMDXV280	0,525	4,55	64	109
RUND ECG 2500 VRF29-TO	5110	MMDXV280	0,525	4,55	64	109
RUND ECG 3000 VRF29-TO	5840	MMDXV280	0,600	5,20	65	119

TOSHIBA VRF Outdoor Units

Mini, Mini SMMSe, SMMSe (Heat Pump)

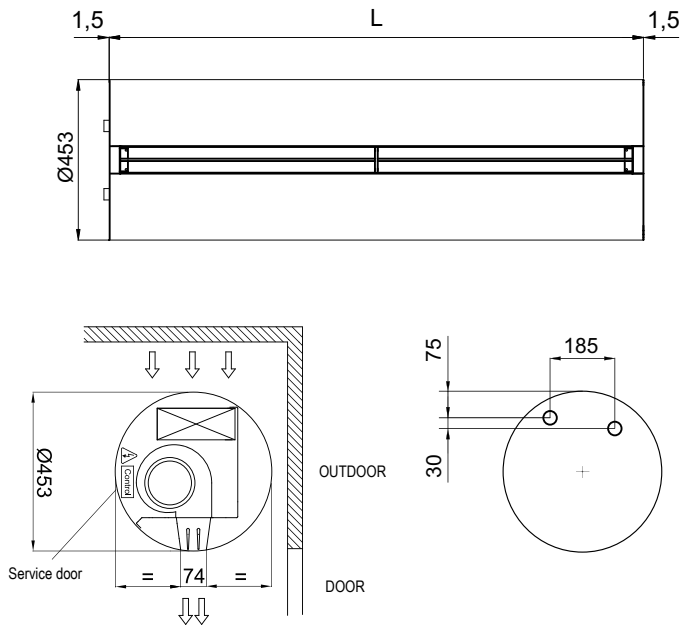
SHRMe (Heat Recovery)



When adverse weather conditions, the outdoor unit capacity can decrease. It is recommendable to oversize the units.



Layouts and dimensions



	L
RUND 1000	1025
RUND 1500	1525
RUND 2000	2030
RUND 2500	2530
RUND 3000	2980

Horizontal installation



Ceiling fixation through threaded rods



Wall/ceiling fixation through arms



Wall/ceiling fixation through angle supports



Floor fixation (goalpost)



Wall fixation through lateral arms