



## Characteristics



- Energy saving heat pump air curtains: Up to 70% reduction in costs and CO<sub>2</sub> emissions (heating mode).
- Self-supporting casing construction made of galvanized steel plate, finished in structural epoxy-polyester painting white colour RAL9016 as standard. Other colours or stainless steel are available on request.
- Micro-perforated inlet grille with filter functions and easy service. Internal prefilter included.
- Anodized aluminium outlet vanes, airfoil shaped, adjustable from 0 to 15° each side.
- EC Double-inlet centrifugal fans driven by an external rotor motor and low noise level, with very low consumption efficient fans.
- Includes direct expansion coil with sensors. Optional condensate water pump.
- CS-5DX-NE Plug&Play control with 5 speeds and telephone cable 7m included.
- Requires MITSUBISHI ELECTRIC DX Interface KIT adapted for air curtain and programmable control, please consult.
- Ready to connect to MITSUBISHI ELECTRIC Standard and Power Inverter outdoor heat pump unit (R410A) with expansion valve, not included, the customer should purchase it.

## Specifications

Model	Airflow m <sup>3</sup> /h	Outdoor Unit (*)		Power Fans 230V-50Hz kW	Current Fans 230V-50Hz A	Noise Level (5 m) dB(A)	Weight kg
		230Vx1	400Vx3				
ECM 1000 DX8-ME	1640	PUHZ-ZRP71VHA	-	0,132	1,14	56	35
ECM 1500 DX11-ME	2460	PUHZ-ZRP100VKA	PUHZ-ZRP100YKA	0,198	1,71	57	53
ECM 1500 DX13-ME	2460	PUHZ-ZRP125VKA	PUHZ-ZRP125YKA	0,198	1,71	57	53
ECM 2000 DX16-ME	3280	PUHZ-ZRP140VKA	PUHZ-ZRP140YKA	0,264	2,28	58	69
ECM 2500 DX22-ME	4100	-	PUHZ-ZRP200YKA	0,330	2,85	59	86
ECM 2500 DX24-ME	4100	-	PUHZ-ZRP250YKA	0,330	2,85	59	86
ECM 3000 DX26-ME	4920	-	PUHZ-ZRP250YKA	0,396	3,42	60	103
ECG 1000 DX10-ME	2190	PUHZ-ZRP100VKA	PUHZ-ZRP100YKA	0,225	1,95	61	50
ECG 1500 DX14-ME	2920	PUHZ-ZRP125VKA	PUHZ-ZRP125YKA	0,300	2,60	62	59
ECG 2000 DX22-ME	4380	-	PUHZ-ZRP200YKA	0,450	3,90	63	92
ECG 2000 DX24-ME	4380	-	PUHZ-ZRP250YKA	0,450	3,90	63	92
ECG 2500 DX27-ME	5110	-	PUHZ-ZRP250YKA	0,525	4,55	64	96
ECG 3000 DX27-ME	5840	-	PUHZ-ZRP250YKA	0,600	5,20	65	109

(\*) Includes direct expansion valve.

MITSUBISHI Power Inverter (*) Outdoor Units	Heating Capacity kW	Heating Power kW	SCOP or COP	Cooling Capacity kW	Cooling Power kW	SEER or EER	Power Supply	Pipes		Pipes Minimum Length m	Pipes Maximum Length m	Pipes Maximum Height m
								Gas	Liquid			
PUHZ-ZRP71VHA	8,0	2,03	3,90	7,1	2,01	5,60	230Vx1	5/8	3/8	-	50	30
PUHZ-ZRP100VKA	11,2	2,06	4,20	10,0	2,63	5,60	230Vx1	5/8	3/8	-	75	30
PUHZ-ZRP100YKA	11,2	2,06	4,20	10,0	2,63	5,50	400Vx3	5/8	3/8	-	75	30
PUHZ-ZRP125VKA	14,0	3,63	3,86	12,5	4,05	3,09	230Vx1	5/8	3/8	-	75	30
PUHZ-ZRP125YKA	14,0	3,63	3,86	12,5	4,05	3,09	400Vx3	5/8	3/8	-	75	30
PUHZ-ZRP140VKA	16,0	4,20	3,81	13,4	4,36	3,07	230Vx1	5/8	3/8	-	75	30
PUHZ-ZRP140YKA	16,0	4,20	3,81	13,4	4,36	3,07	400Vx3	5/8	3/8	-	75	30
PUHZ-ZRP200YKA	22,4	6,94	3,23	19,0	6,46	2,94	400Vx3	1	3/8	-	100	30
PUHZ-ZRP250YKA	27,0	8,94	3,75	22,0	8,31	2,65	400Vx3	1	1/2	-	100	30

(\*) Also compatible with Standard Inverter outdoor units.

Energy efficiency: SCOP/SEER seasonal ≤12kW, COP/EER >12kW.

Outdoor unit capacities depending on standard conditions: heating 20°CDB indoor / 7°CDB and 6°CWB outdoor, cooling 27°CDB and 19°CWB indoor / 35°CDB outdoor.

When adverse weather conditions, the outdoor unit capacity can decrease. It is recommendable to oversize the units.



## Characteristics



- Energy saving heat pump air curtains: Up to 70% reduction in costs and CO<sub>2</sub> emissions (heating mode).
- Self-supporting casing construction made of galvanized steel plate, finished in structural epoxy-polyester painting white colour RAL9016 as standard. Other colours or stainless steel are available on request.
- Micro-perforated inlet grille with filter functions and easy service. Internal prefilter included.
- Anodized aluminium outlet vanes, airfoil shaped, adjustable from 0 to 15° each side.
- EC Double-inlet centrifugal fans driven by an external rotor motor and low noise level, with very low consumption efficient fans.
- Includes direct expansion coil with sensors. Optional condensate water pump.
- CS-5DX-NE Plug&Play control with 5 speeds and telephone cable 7m included.
- Requires MITSUBISHI ELECTRIC VRF Interface KIT adapted for air curtain with expansion valve and programmable control, please consult.
- Ready to connect to MITSUBISHI ELECTRIC VRF outdoor heat pump unit (R410A), not included, the customer should purchase it.

## Specifications

Model	Airflow m <sup>3</sup> /h	Power Fans 230V-50Hz kW	Current Fans 230V-50Hz A	Noise Level (5 m) dB(A)	Weight kg	Mitsubishi Electric Kit Interface VRF (*)
ECM 1500 VRF12-ME	2460	0,198	1,71	57	53	PAC-AH125M-J
ECM 2000 VRF16-ME	3280	0,264	2,28	58	69	PAC-AH125M-J
ECM 2000 VRF19-ME	3280	0,264	2,28	58	69	PAC-AH250M-J
ECM 2500 VRF21-ME	4100	0,330	2,85	59	86	PAC-AH250M-J
ECM 2500 VRF24-ME	4100	0,330	2,85	59	86	PAC-AH250M-J
ECM 3000 VRF26-ME	4920	0,396	3,42	60	103	PAC-AH250M-J
ECM 3000 VRF30-ME	4920	0,396	3,42	60	103	PAC-AH250M-J
ECG 1000 VRF10-ME	2190	0,225	1,95	61	50	PAC-AH125M-J
ECG 1500 VRF13-ME	2920	0,300	2,60	62	59	PAC-AH125M-J
ECG 1500 VRF15-ME	2920	0,300	2,60	62	59	PAC-AH125M-J
ECG 2000 VRF20-ME	4380	0,450	3,90	63	92	PAC-AH250M-J
ECG 2000 VRF24-ME	4380	0,450	3,90	63	92	PAC-AH250M-J
ECG 2500 VRF25-ME	5110	0,525	4,55	64	96	PAC-AH250M-J
ECG 2500 VRF29-ME	5110	0,525	4,55	64	96	PAC-AH250M-J
ECG 3000 VRF29-ME	5840	0,600	5,20	65	109	PAC-AH250M-J

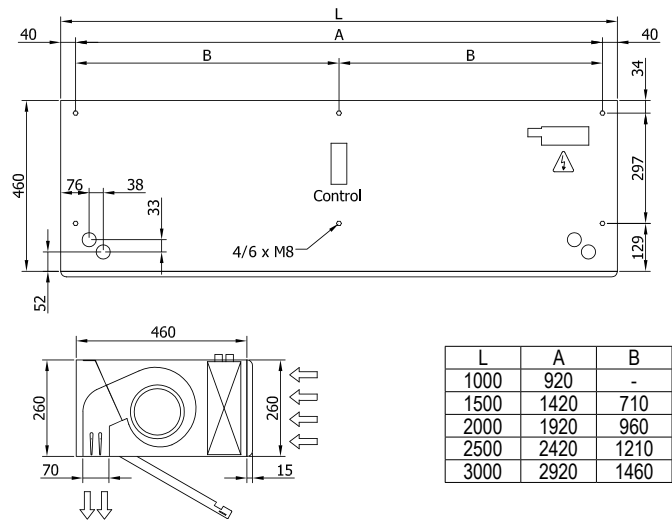
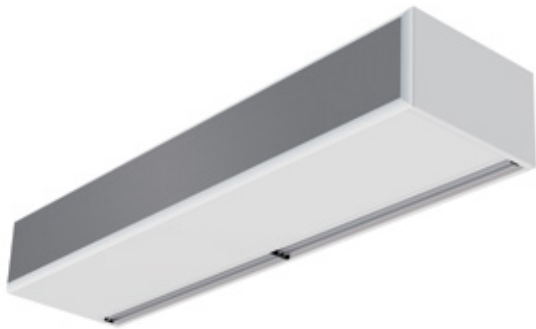
(\*) Includes direct expansion valve.

MITSUBISHI ELECTRIC VRF compatible Outdoor Units	
Range	Series
City Multi	SY (Heat Pump)
City Multi	R2 (Heat Recovery)
Mr. Slim	Standard Inverter
Mr. Slim	Power Inverter
Mr. Slim	Zubadan
Industrial	Standard Inverter
Industrial	Power Inverter

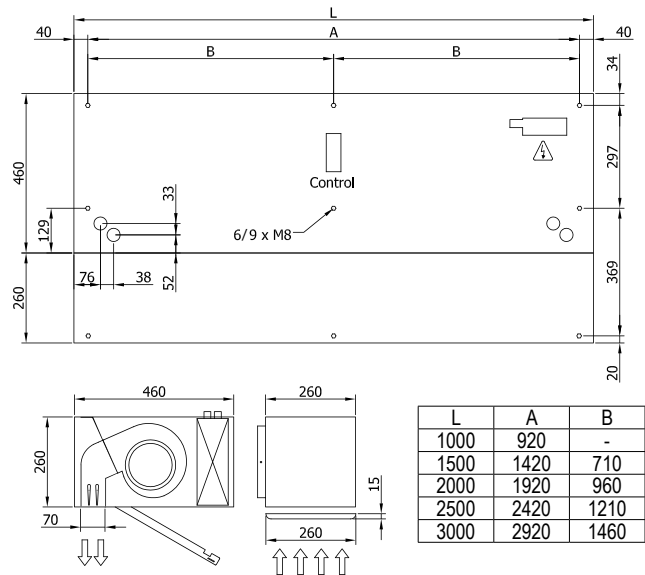
When adverse weather conditions, the outdoor unit capacity can decrease. It is recommendable to oversize the units.



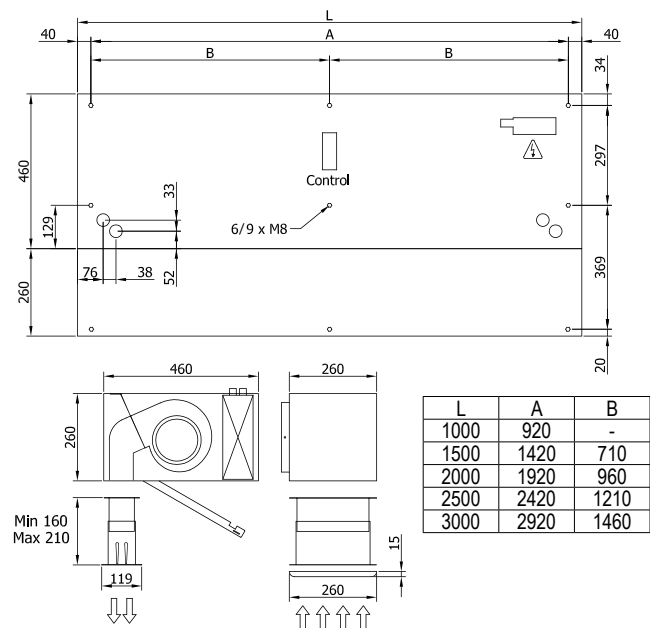
**Layouts and dimensions**



Free hanging mounting



Inside ceiling surface mounting



False ceiling invisible mounting