



**Characteristics**



- Self-supporting casing construction made of galvanized steel plate, ready to be installed recessed in a false ceiling.
- Inlet grille (free of maintenance) made with aluminium profiles and blow-out nozzle, integrated in a single white frame colour RAL 9016. Other colours are available on request.
- Anodized aluminium outlet vanes, airfoil shaped, adjustable in both directions.
- EC Double-inlet centrifugal fans driven by an external rotor motor and low noise level, with very low consumption efficiency fans.
- “P” type with water heated coil. “E” type with electrical shielded elements, three stages with integrated regulation. “A” type without heating, air only. Optional “DX” with direct expansion coil.
- Includes Advanced Clever control (programmable, automatic, intelligent, energy saving, Modbus RTU for BMS...) with Plug&Play control and 7m RJ11 cable.

**Specifications**

AIR ONLY					
Model	Airflow m³/h	Power Fans 230V-50Hz kW	Current Fans 230V-50Hz A	Noise Level (5 m) dB(A)	Weight kg
RBB 1000 A	4.020	0,873	3,87	66	50
RBB 1500 A	5.360	1,164	5,16	67	75
RBB 2000 A	8.040	1,746	7,74	68	100
RBB 2500 A	9.380	2,037	9,03	69	125

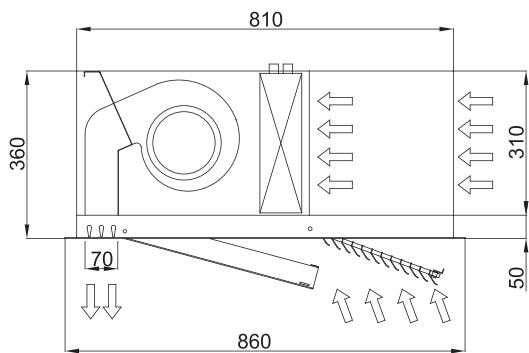
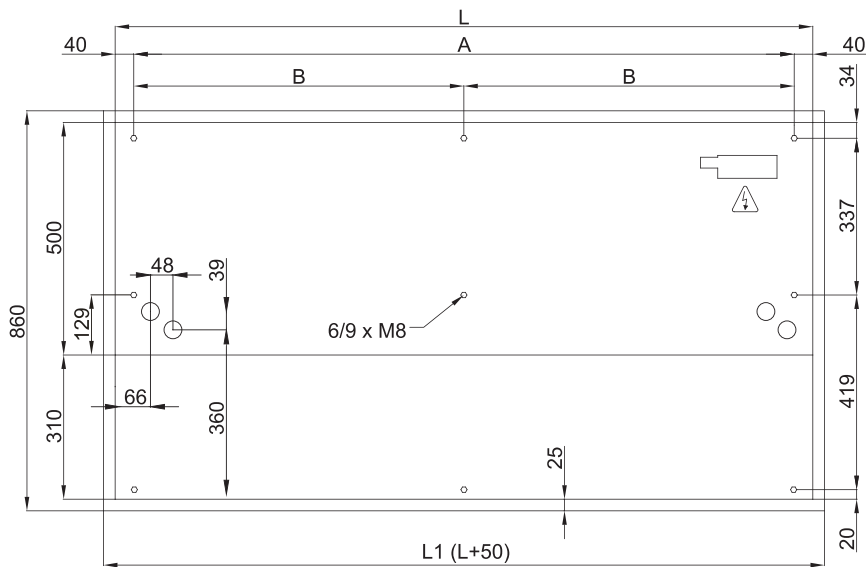
ELECTRICAL HEATED						
Model	Airflow m³/h	Electrical Heating Capacity 400Vx3-50Hz kW	Power Fans 230V-50Hz kW	Current Fans 230V-50Hz A	Noise Level (5 m) dB(A)	Weight kg
RBB 1000 E	4.020	6/15/21	0,873	3,87	66	60
RBB 1500 E	5.360	8/19/27	1,164	5,16	67	91
RBB 2000 E	8.040	12/30/42	1,746	7,74	68	121
RBB 2500 E	9.380	16/30/46	2,037	9,03	69	151

WATER HEATED											
Model	Airflow m³/h	P86		P64		P54		Power Fans 230V-50Hz kW	Current Fans 230V-50Hz A	Noise Level (5 m) dB(A)	Weight kg
		Heating capacity 80/60°C kW	Water Drop Pressure 80/60°C Pa	Heating Capacity 60/40°C kW	Water Drop Pressure 60/40°C Pa	Heating Capacity 50/40°C kW	Water Drop Pressure 50/40°C Pa				
RBB 1000 P	3.750	16,48	12180	15,16	16190	18,21	15190	0,873	3,87	65	58
RBB 1500 P	5.000	24,15	15260	21,87	10990	26,46	10420	1,164	5,16	66	88
RBB 2000 P	7.500	35,04	12680	31,13	7350	38,44	10260	1,746	7,74	67	117
RBB 2500 P	8.750	42,12	11880	38,96	13420	46,38	9110	2,037	9,03	68	146

Water heated:  
 P86, P64 2x1", P54 1000-2000 2x1" and 2500 2x1¼".  
 Connection pipes P86, P64 and P54 are female (male if lateral pipes).  
 P86 2 rows coil, P64 3 rows coil, P54 4 rows coil.



**Dimensions**



	L	L1	A	B
RWIN BB 1000	1000	1050	920	-
RWIN BB 1500	1500	1550	1420	710
RWIN BB 2000	2000	2050	1920	960
RWIN BB 2500	2500	2550	2420	1210

**Finishes and details**



Detail of the upper area of the air curtain



Customizable inlet grille in RAL color optionally