



Characteristics



- Self-supporting casing construction made of galvanized steel plate, finished in structural epoxy-polyester painting white colour RAL9016 as standard. Other colours or stainless steel are available on request.
- Micro-perforated inlet grille with filter functions and easy service. It does not need prefilter.
- Anodized aluminium outlet vanes, airfoil shaped, adjustable from 0 to 15° each side.
- EC Double-inlet centrifugal fans driven by an external rotor motor and low noise level, with very low consumption efficiency fans.
- "P" type with water heated coil. "E" type with electrical shielded elements, three stages with integrated regulation. "A" type without heating, air only. Optional "DX" with direct expansion coil.
- Includes Advanced Clever control (programmable, automatic, intelligent, energy saving, Modbus RTU for BMS...) with Plug&Play control and 7m RJ11 cable.

Specifications

AIR ONLY

Model	Airflow m ³ /h	Power Fans 230V-50Hz kW	Current Fans 230V-50Hz A	Noise Level (5 m) dB(A)	Weight kg
BB 1000 A	4.020	0,873	3,87	66	38
BB 1500 A	5.360	1,164	5,16	67	55
BB 2000 A	8.040	1,746	7,74	68	77
BB 2500 A	9.380	2,037	9,03	69	93
BB 3000 A	10.720	2,328	10,32	70	110

ELECTRICAL HEATED

Model	Airflow m ³ /h	Electrical Heating Capacity 400Vx3-50Hz kW	Power Fans 230V-50Hz kW	Current Fans 230V-50Hz A	Noise Level (5 m) dB(A)	Weight kg
BB 1000 E	4.020	6/15/21	0,873	3,87	66	49
BB 1500 E	5.360	8/19/27	1,164	5,16	67	71
BB 2000 E	8.040	12/30/42	1,746	7,74	68	98
BB 2500 E	9.380	16/30/46	2,037	9,03	69	119
BB 3000 E	10.720	20/30/50	2,328	10,32	70	141

WATER HEATED

Model	Airflow m ³ /h	P86		P64		P54		Power Fans 230V-50Hz kW	Current Fans 230V-50Hz A	Noise Level (5 m) dB(A)	Weight kg
		Heating capacity 80/60°C kW	Water Drop Pressure 80/60°C Pa	Heating Capacity 60/40°C kW	Water Drop Pressure 60/40°C Pa	Heating Capacity 50/40°C kW	Water Drop Pressure 50/40°C Pa				
BB 1000 P	3.750	16,48	12180	15,16	16190	18,21	15190	0,873	3,87	65	47
BB 1500 P	5.000	24,15	15260	21,87	10990	26,46	10420	1,164	5,16	66	67
BB 2000 P	7.500	35,04	12680	31,13	7350	38,44	10260	1,746	7,74	67	93
BB 2500 P	8.750	42,12	11880	38,96	13420	46,38	9110	2,037	9,03	68	115
BB 3000 P	10.000	48,68	8090	45,49	11230	49,27	10920	2,328	10,32	69	135

Water heated:

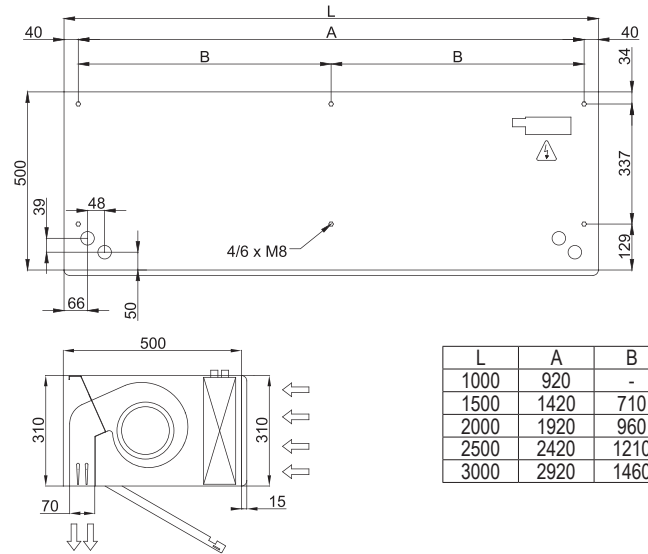
P86, P64 2x1", P54 1000-2000 2x1" and 2500-3000 2x1¼".

Connection pipes P86, P64 and P54 are female (male if lateral pipes).

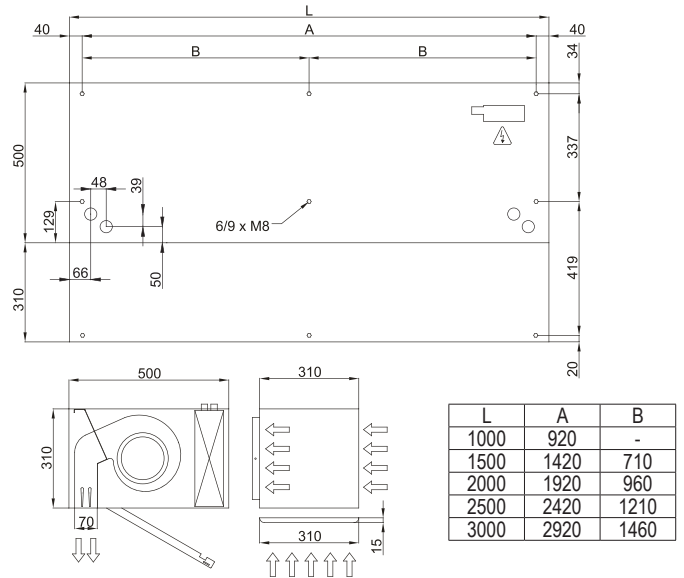
P86 2 rows coil, P64 3 rows coil, P54 4 rows coil.



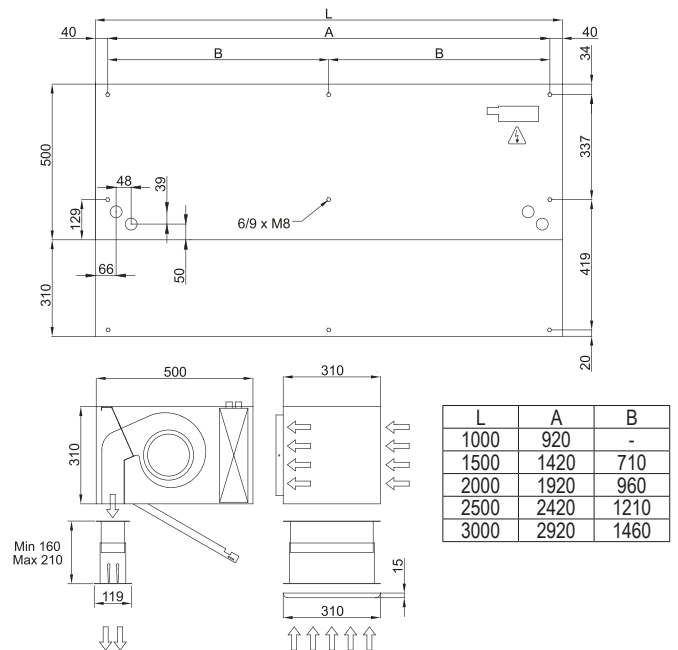
Layouts and dimensions



Free hanging mounting



Inside ceiling surface mounting



False ceiling invisible mounting