



**Characteristics**



- Structure made of aluminium profiles and galvanized plated steel panels, finished in structural epoxy-polyester white RAL 9016 or silver grey RAL 9006 as standard. Other colours are available on request.
- Micro-perforated inlet grille with filter functions and easy service. It does not need prefilter.
- Anodized aluminium outlet vanes, airfoil shaped, adjustable from 0 to 15° each side.
- Double-inlet centrifugal fans driven by an external rotor motor and low noise level. 5-speed selector. "EC" models assembled with very low consumption efficiency fans.
- "P" type with water heated coil. "E" type with electrical shielded elements, three stages with integrated regulation. "A" type without heating, air only.
- Includes Plug&Play control with 7m RJ45 cable and infrared remote control. Optional: Clever control (programmable, automatic, intelligent, energy saving, Modbus RTU for BMS...).

**Specifications**

**AIR ONLY**

Model	Airflow m³/h	Power Fans 230V-50Hz kW	Current Fans 230V-50Hz A	Noise Level (5 m) dB(A)	Weight kg
DM 1000 A	1800	0,212	0,94	55	51
DM 1500 A	2700	0,318	1,41	56	75
DM 2000 A	3600	0,424	1,88	57	96
DM 2500 A	4500	0,530	2,35	58	108
DECM 1000 A	1840	0,132	1,14	56	51
DECM 1500 A	2760	0,198	1,71	57	75
DECM 2000 A	3680	0,264	2,28	58	96
DECM 2500 A	4600	0,330	2,85	59	108
DG 1000 A	2400	0,642	2,85	57	55
DG 1500 A	3200	0,856	3,80	58	80
DG 2000 A	4800	1,284	5,70	59	106
DG 2500 A	5600	1,498	6,65	60	118
DECG 1000 A	2700	0,225	1,95	61	55
DECG 1500 A	3600	0,300	2,60	62	80
DECG 2000 A	5400	0,450	3,90	63	106
DECG 2500 A	6300	0,525	4,55	64	118

**ELECTRICAL HEATED**

Model	Airflow m³/h	Electrical Heating Capacity 400Vx3-50Hz kW	Power Fans 230V-50Hz kW	Current Fans 230V-50Hz A	Noise Level (5 m) dB(A)	Weight kg
DM 1000 E	1800	3/6/9	0,212	0,94	55	58
DM 1500 E	2700	4/8/12	0,318	1,41	56	87
DM 2000 E	3600	6/12/18	0,424	1,88	57	114
DM 2500 E	4500	6/12/18	0,530	2,35	58	128
DECM 1000 E	1840	3/6/9	0,132	1,14	56	58
DECM 1500 E	2760	4/8/12	0,198	1,71	57	87
DECM 2000 E	3680	6/12/18	0,264	2,28	58	114
DECM 2500 E	4600	6/12/18	0,330	2,85	59	128
DG 1000 E	2400	5/10/15	0,642	2,85	57	63
DG 1500 E	3200	7,5/15/22,5	0,856	3,80	58	93
DG 2000 E	4800	10/20/30	1,284	5,70	59	124
DG 2500 E	5600	10/20/30	1,498	6,65	60	138
DECG 1000 E	2700	5/10/15	0,225	1,95	61	63
DECG 1500 E	3600	7,5/15/22,5	0,300	2,60	62	93
DECG 2000 E	5400	10/20/30	0,450	3,90	63	124
DECG 2500 E	6300	10/20/30	0,525	4,55	64	138

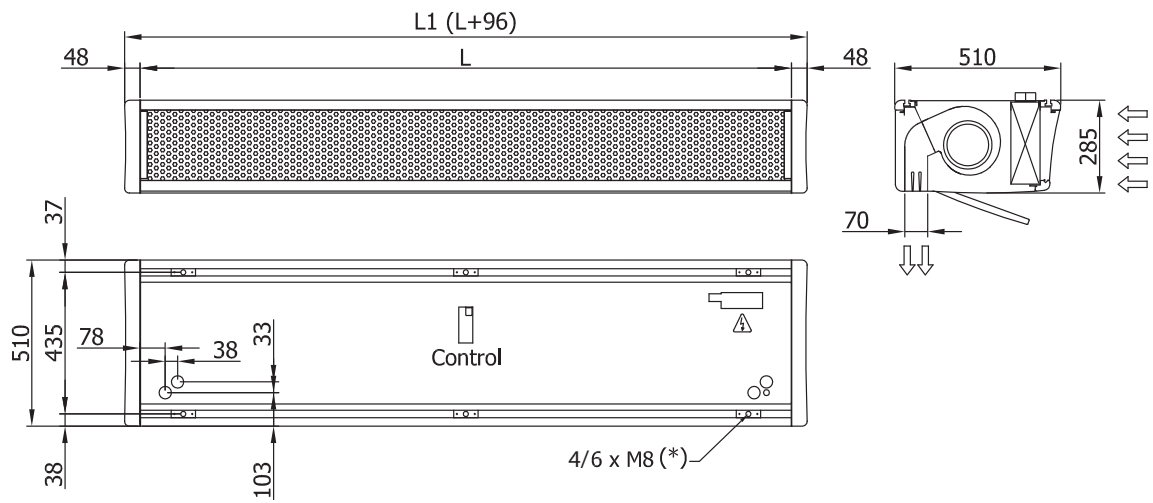
**WATER HEATED**

Model	Airflow m³/h	P86		P64		P54		Power Fans 230V-50Hz kW	Current Fans 230V-50Hz A	Noise Level (5 m) dB(A)	Weight kg
		Heating Capacity 80/60°C kW	Water Drop Pressure 80/60°C Pa	Heating Capacity 60/40°C kW	Water Drop Pressure 60/40°C Pa	Heating Capacity 50/40°C kW	Water Drop Pressure 50/40°C Pa				
DM 1000 P	1660	9,17	880	8,56	4370	8,52	1220	0,428	1,90	56	56
DM 1500 P	2490	14,26	760	13,69	6460	14,34	4480	0,642	2,85	57	83
DM 2000 P	3320	20,65	1930	18,26	4790	18,65	2060	0,856	3,80	58	107
DM 2500 P	4150	26,92	3810	22,12	3850	24,32	4040	1,070	4,75	59	121
DECM 1000 P	1720	9,38	920	8,77	4560	8,74	1280	0,132	1,14	56	56
DECM 1500 P	2580	14,58	790	14,02	6730	14,71	4690	0,198	1,71	57	83
DECM 2000 P	3440	21,12	2010	18,70	4990	19,13	2150	0,264	2,28	58	107
DECM 2500 P	4300	27,53	3960	23,33	4010	24,95	4230	0,330	2,85	59	121
DG 1000 P	2250	11,04	1230	10,42	6190	10,56	1790	0,642	2,85	57	61
DG 1500 P	3000	16,02	940	15,47	8020	16,37	5670	0,856	3,80	58	89
DG 2000 P	4500	24,92	2700	22,29	6810	23,15	3030	1,284	5,70	59	117
DG 2500 P	5250	31,16	4930	26,61	5060	28,76	5450	1,498	6,65	60	129
DECG 1000 P	2550	11,89	1400	11,27	7110	11,50	2090	0,225	1,95	61	61
DECG 1500 P	3400	17,29	1070	16,77	9240	17,86	6620	0,300	2,60	62	89
DECG 2000 P	5100	26,86	3080	24,14	7850	25,24	3530	0,450	3,90	63	117
DECG 2500 P	5950	33,63	5650	28,84	5840	31,38	6360	0,525	4,55	64	129

Water heated: connection pipes P86 and P64 are 2x3/4" female, P54 2x1" male. P86 2 rows coil, P64 3 rows coil, P54 4 rows coil.



**Dimensions**

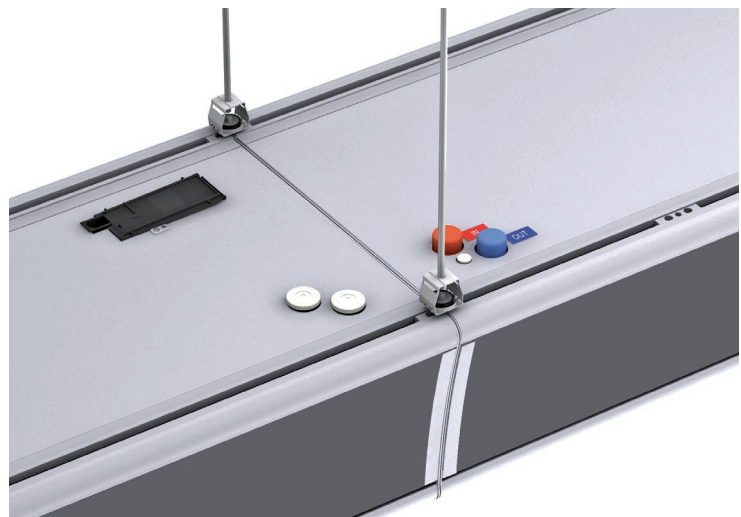


	L	L1
DECO 1000	1000	1096
DECO 1500	1500	1596
DECO 2000	2000	2096
DECO 2500	2500	2596

**Details**



Different colour finishes



Joining two units



(\*) Adjustable fixing points through guide rail